

Pool Liner

Professional CAD Software specialising in the design and production of the swimming pool liner.

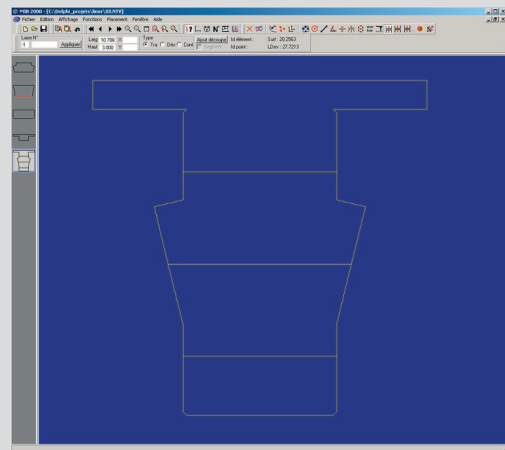
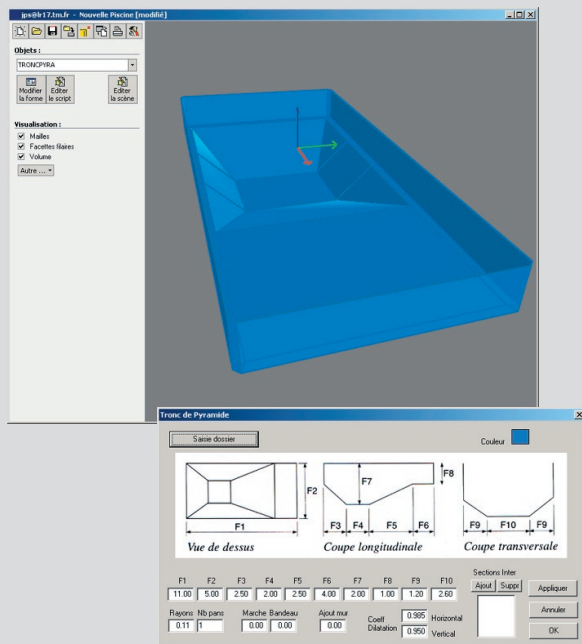
We have created this tool with two goals in mind:

- 1- To be able to quickly and easily design the pool shapes in 3D.
- 2- To be able to produce the liner with efficiency, corresponding to your specific production request.

Main functionalities

3D shape definition

- All standard pool models are already integrated.
- After determining the selected pool shape, it takes just seconds to define the pool size.
- You can also import any type of design from any other CAD software in DXF format.
- Additional custom items, such as steps, may also be designed in 3D.
- All marking and the stretch margin are also included in the flat panel calculation.



Panel definition

Flat panel calculation

- The flat panel calculation is done with accuracy following the 3 dimensional measurements.

Panelling

- Our tools allow you to manage the fabric width, stretch margin, etc. to your individual specifications. You can also flip, rotate and move any panels with ease.

Export

- Most of the popular file formats are available for exportation to your cutter.

Nesting

- The nesting functionality is optimised to reduce your fabric consumption.

Production form

- With "Liner" you can also edit all the information you need during your production process according to the format of your production print out.

Optional functionality - “Pool Cover”

With this functionality you use the same technique to design the pool cover. Again the main goal is productivity. With just a few “clicks” you can easily define the outline of the pool, chose the type of cover you want and “Liner” does the job.

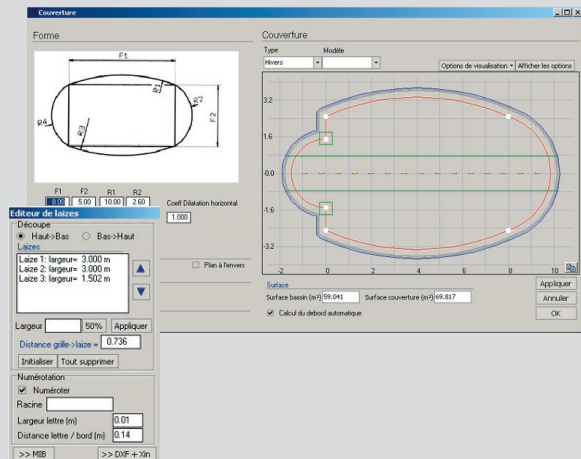
Main functionalities

Shape definition

- Design a range of common shapes.
- Several input forms allow you the capability to define the pool measurements.
- Import more complex designs using DXF format.
- Design any particular cover geometry.
- Include and quickly locate any style of swim steps.
- Standard or custom overlaps are automatically calculated following the pool measurement.

Marking and internal cutting

- No worries about fold over, local reinforcement, eyelet or webbing position.
- All marking and internal cutting are fully automatic. You select your model and the best layout of that style is applied in real time.



Panel definition

- An easy to use tool helps you to create the panel layout.
- Numbers on each panel and seaming mark assist in the accuracy of the building process and eliminate mistakes.

Production form

- A production form is organized and already filled in. Without wasting time you can produce a production printout essential for the assembly shop.
- You may also personalize the accessories layout; this new layout can be applied to your entire range of pool covers.
- The counting of accessories (eyelets, webbing, chock cord length, etc...) will be automatically done.
- You may record each making folder using several formats: RTF, PDF, BMP and JPG, ...

